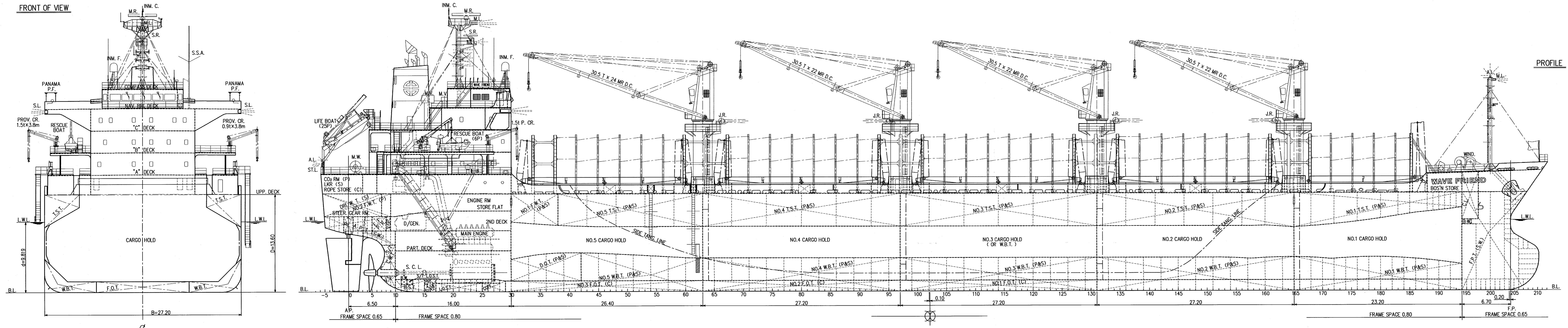
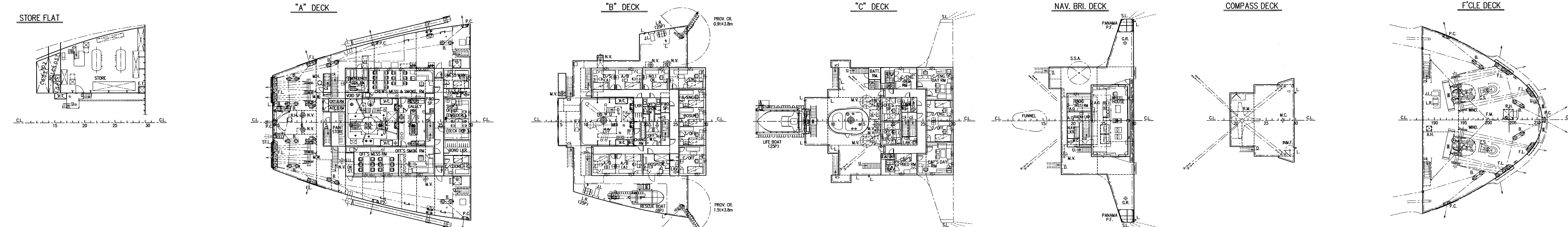


GENERAL ARRANGEMENT SCALE 1:200

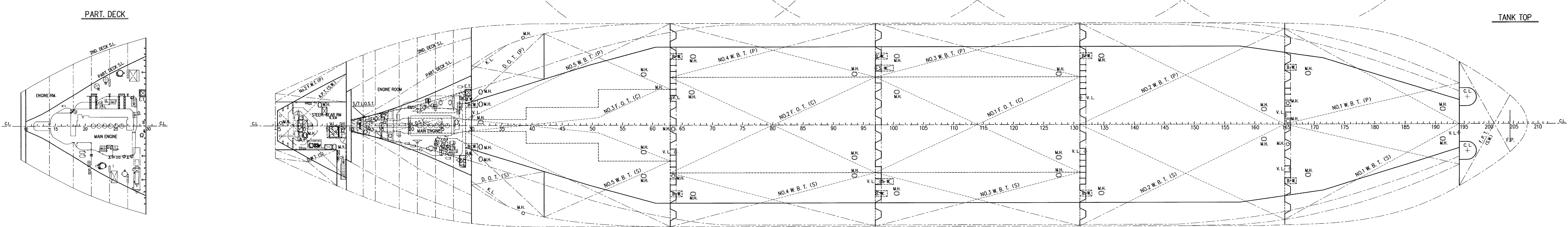
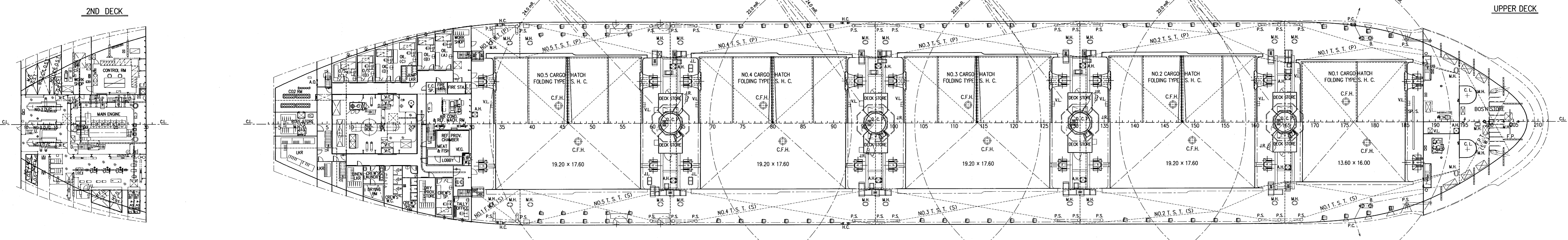
M.S. WAVE FRIEND



PRINCIPAL PARTICULARS	
LENGTH (O.A.)	169.37 m
LENGTH (B.P.)	160.40 m
BREADTH (M.D.)	27.20 m
DEPTH (M.D.)	13.60 m
DRAUGHT (EXT.)	9.819 m
DEADWEIGHT	28,325 MT
GROSS TONNAGE (I.C.T.M.)	17,018
NET TONNAGE (I.C.T.M.)	10,108
MAIN ENGINE	MARITIME-MITSUBISHI B & W 6S42MC (MARK V) x 1 set
MAXIMUM OUTPUT	5,850 kw (7,953 ps) x 129 rpm
NORMAL OUTPUT	4,970 kw (6,757 ps) x 122 rpm
HOLD CAPACITY : (GRAIN)	37,320.63 m ³ (B&W.C.A.)
(BALE)	35,742.83 m ³
SPEED	
SERVICE (d = 9.70 m M.D., 85% MCR with 15% S.M.)	abt. 14.0 knots
TRIAL MAX.	16.233 knots
CLASS	NIPPON KAIYUKAI (NK)
CLASSIFICATION CHARACTERS	NK NS + (BC-A, BC-XI, GRAB) (ESP) and MNS +
INSTALLATION CHARACTERS	CHG, MPP, LSA, RCF, MO, AFS
DESCRIPTIVE NOTE	STRENGTHENED FOR HEAVY CARGO LOADING WHERE HOLDS NOS. 2 & 4 MAY BE EMPTY



COMPLEMENT			
DECK PART	ENGINE PART	BUSINESS PART	
CAPTAIN	1 CHIEF ENGINEER	1	
CHIEF OFFICER	1 1ST ENGINEER	1	
2ND OFFICER	1 2ND ENGINEER	1	
3RD OFFICER	1 3RD ENGINEER	1	
BOATSWAIN	1 NO.1 OILER	1	CHIEF COOK
ABLE SEAMAN	3 OILER	4	MESS MAN
ORD. SEAMAN	3		
TOTAL NUMBER OF OFFICER CLASS		8 P.	
TOTAL NUMBER OF CREW CLASS		14 P.	
OFFICER'S SPARE (SENIOR OFFICER CLASS)		1 P.	
CREW'S SPARE (RATING CREW CLASS)		1 P.	
OFFICER'S SPARE (PILOT)		1 P.	
GRAND TOTAL		25 P.	



CAUTION
THIS DRAWING OR DOCUMENT IS THE PROPERTY OF IMAHARI SHIPBUILDING CO., LTD.
REPRODUCING, COPYING, UTILIZATION FOR PURPOSES OTHER THAN AGREED, DISCLOSURE TO A THIRD PARTY, ARE STRICTLY SUBJECT TO PRIOR WRITTEN AGREEMENT BY IMAHARI SHIPBUILDING CO., LTD.



FINISHED PLAN			
CON-FERRED	IMAHARI DESIGN GROUP BASIC DESIGN TEAM		
APPROVED	S. Mouri	M.S. "WAVE FRIEND" IMO 9470313	
DRAWN	S. Yamamoto	GENERAL ARRANGEMENT	
SHIP NO.	S-715	CLASS	NK
SCALE	1/200	DWG. NO.	C-0200
IMAHARI SHIPBUILDING CO., LTD.		IMAHARI SHIPYARD	
DATE: February 25, 2010			