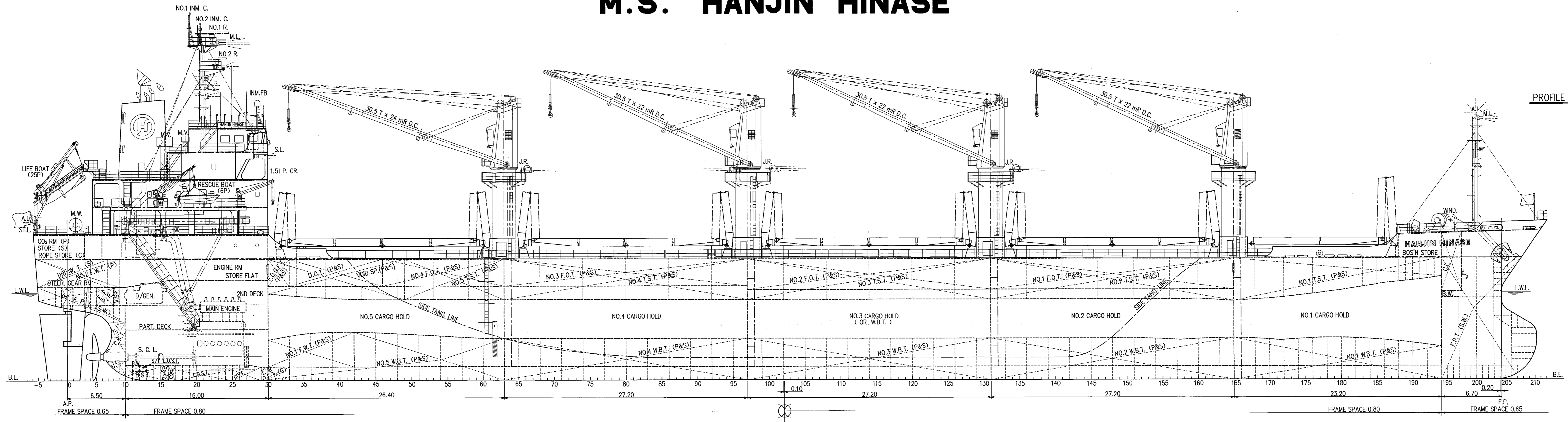
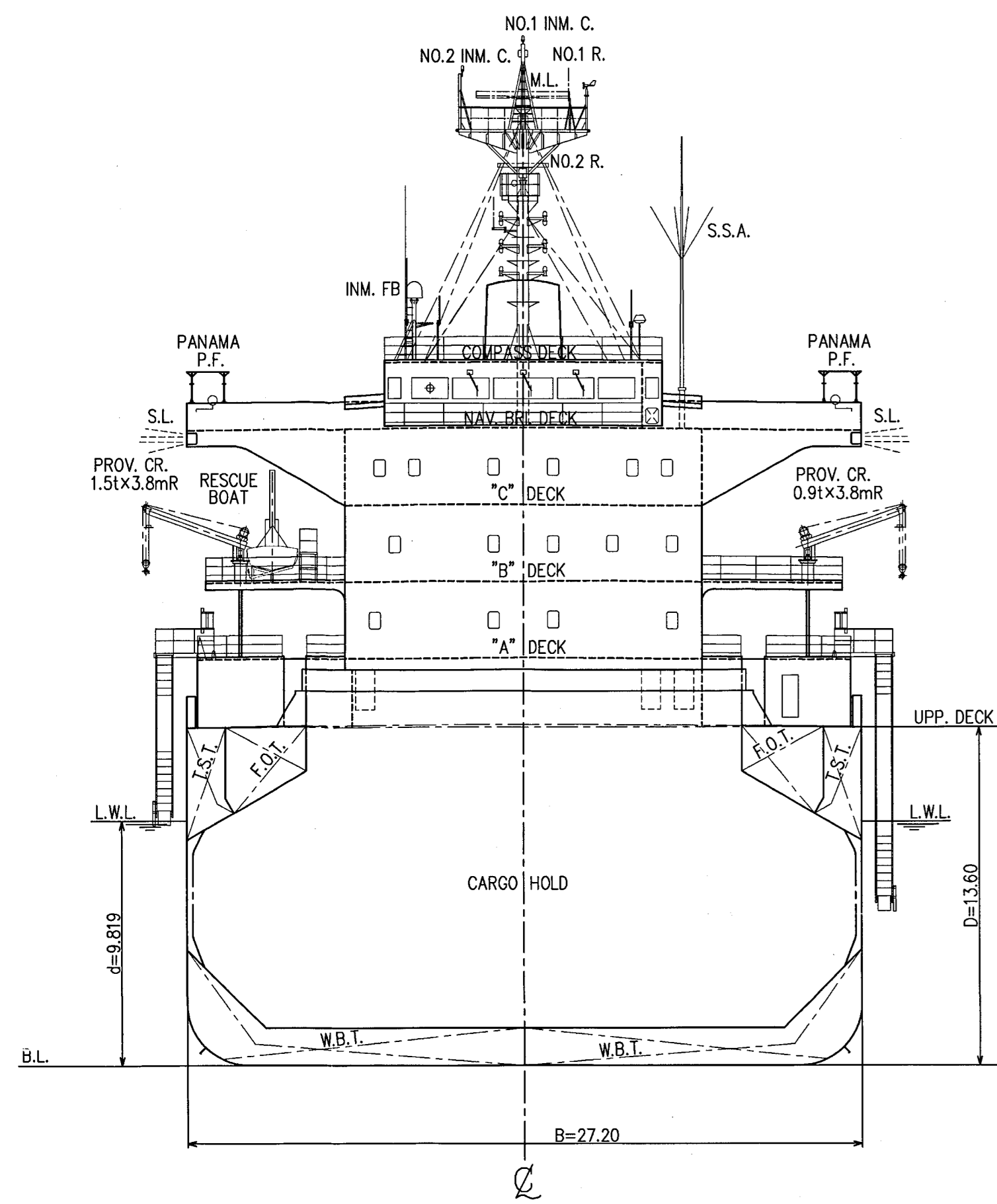


GENERAL ARRANGEMENT SCALE 1:200

M.S. HANJIN HINASE

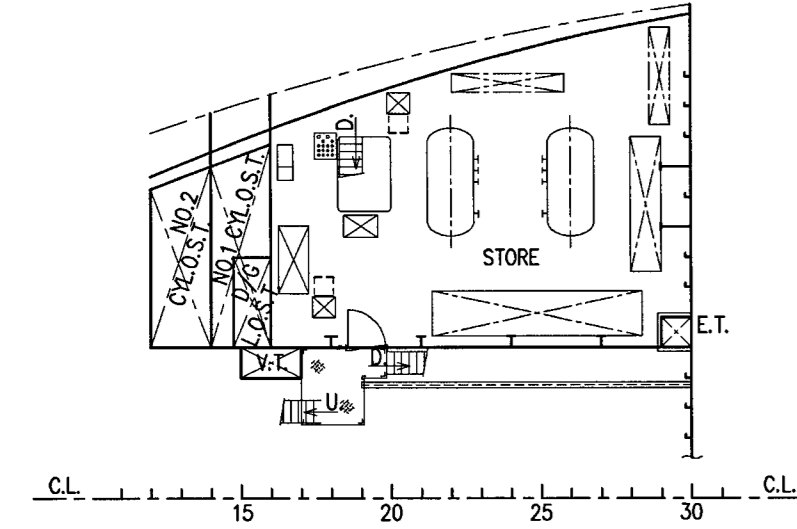
HISTORY
DRAWN BY THIS WORKS.
August 26, 2011

FRONT OF VIEW

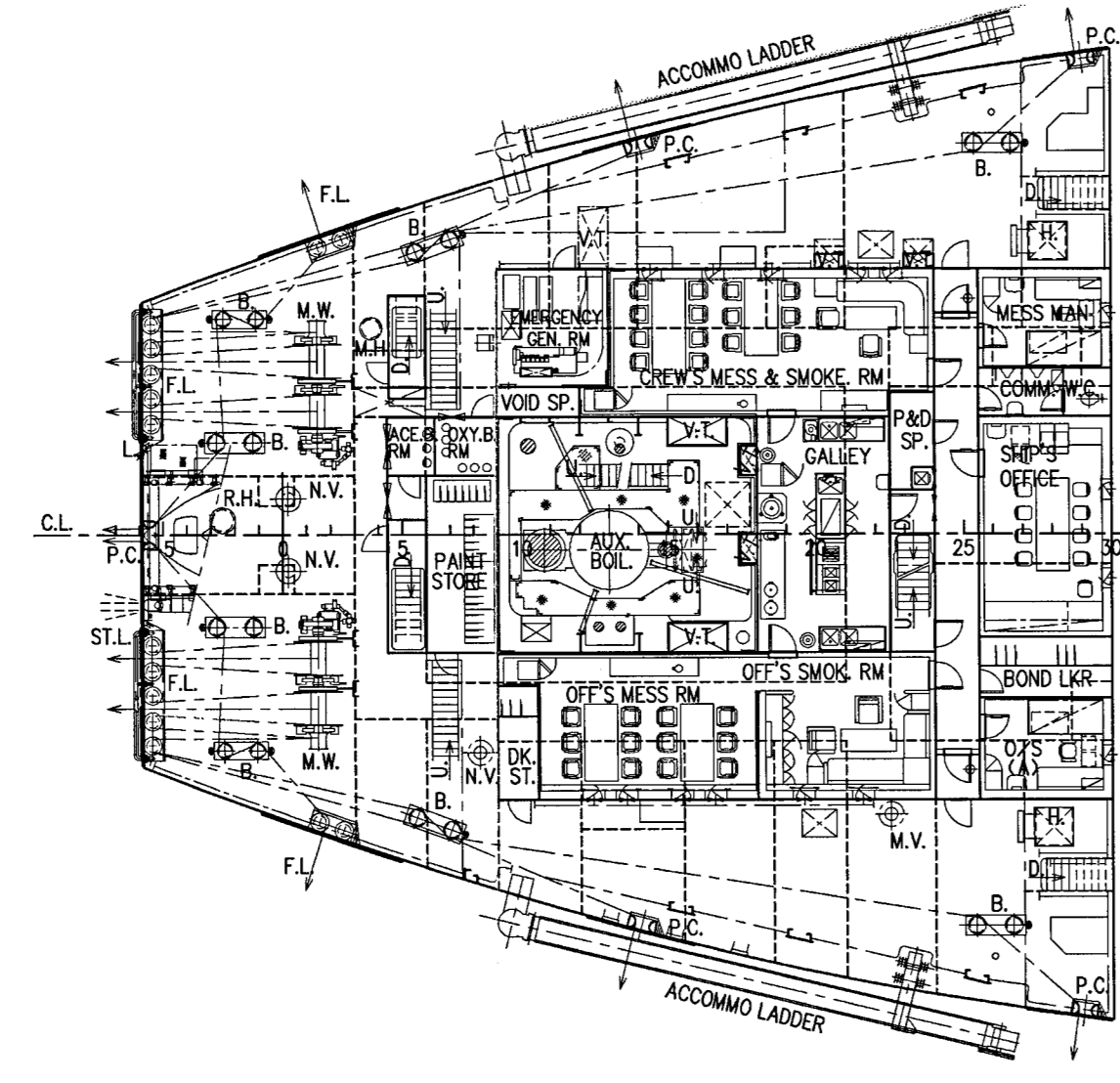


PROFILE

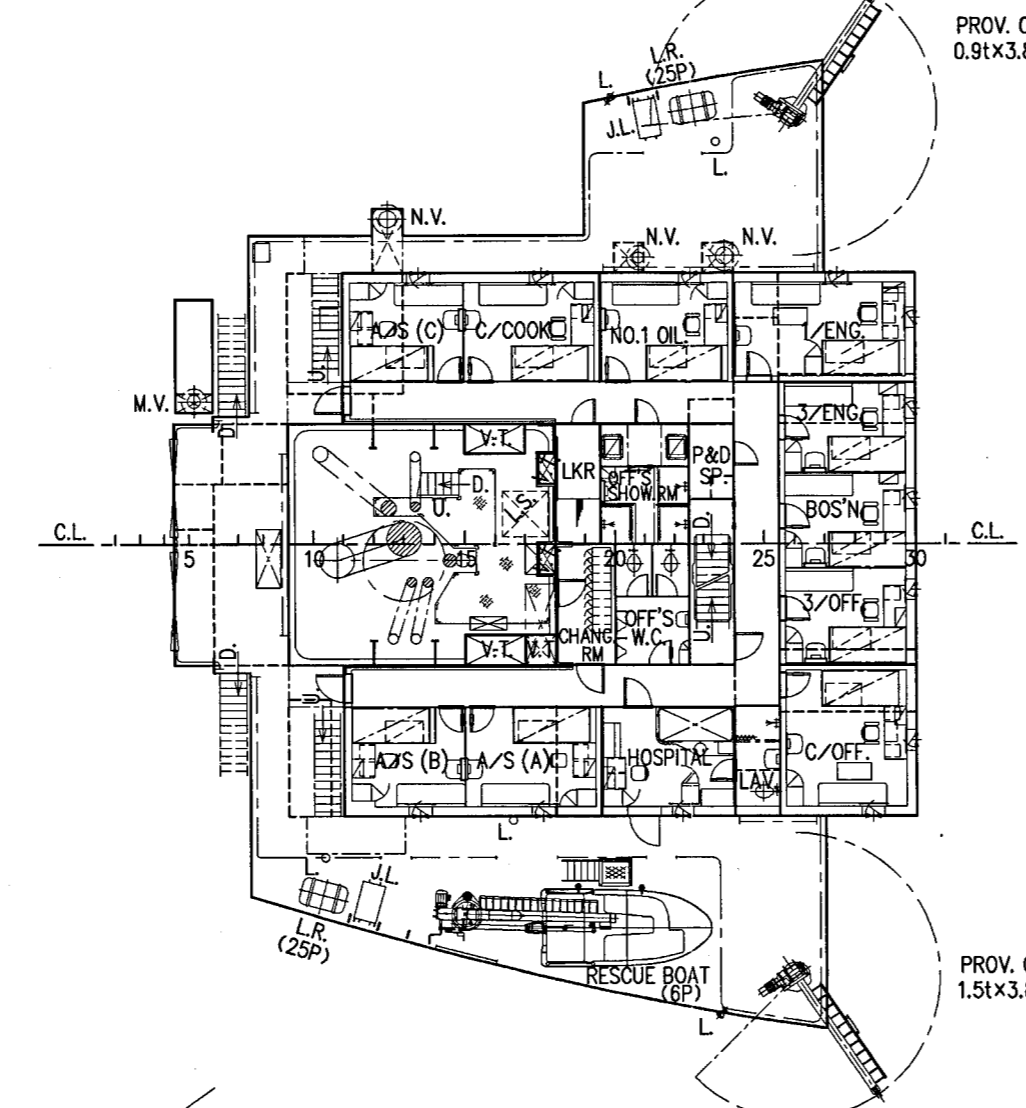
STORE FLAT



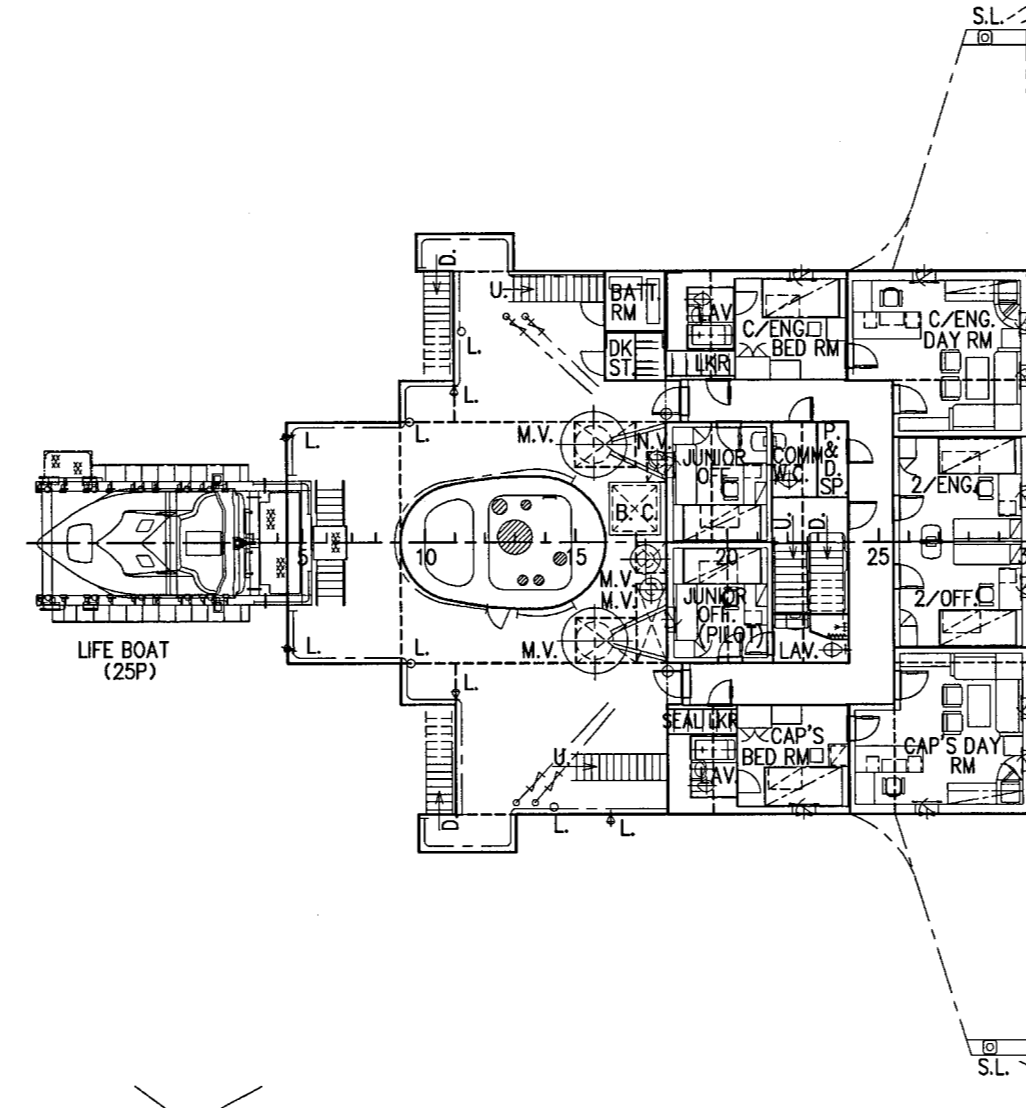
"A" DECK



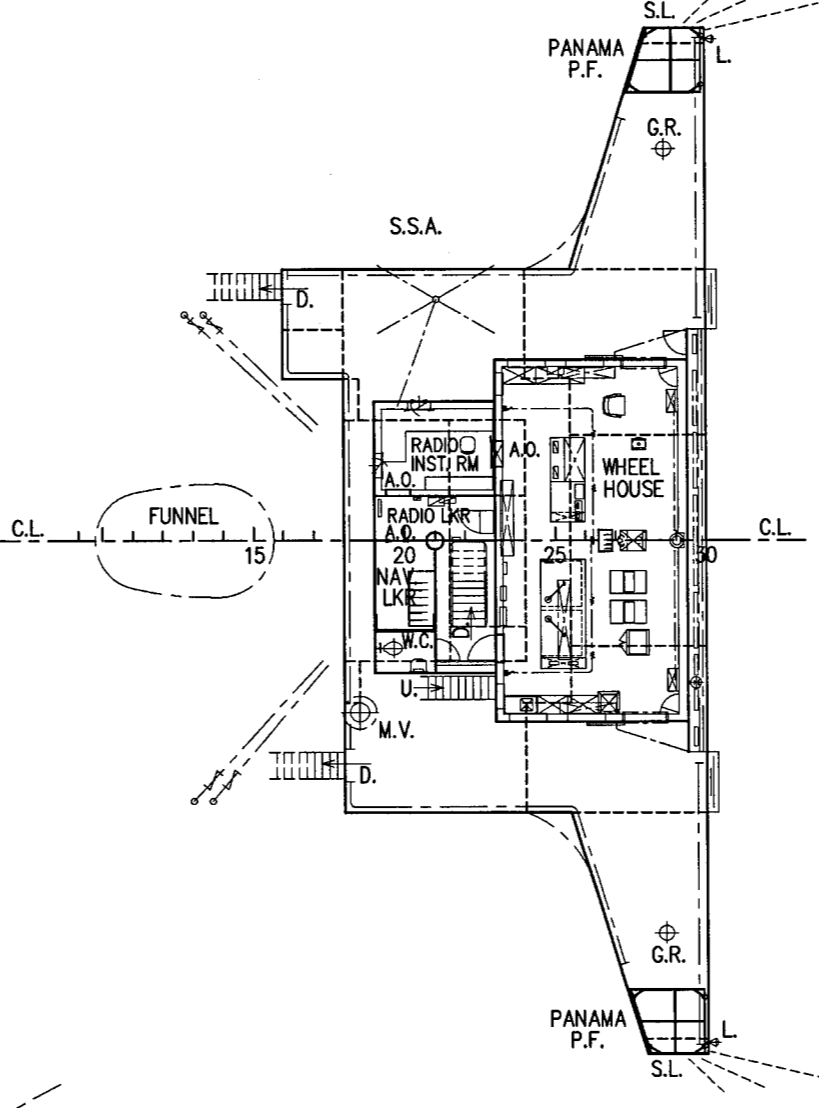
"B" DECK



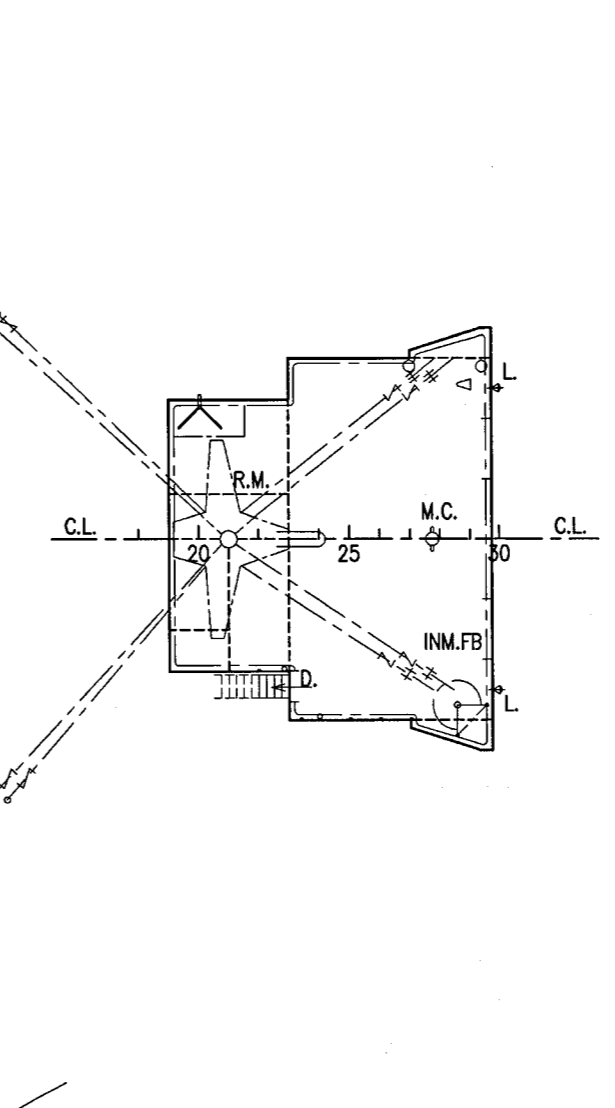
"C" DECK



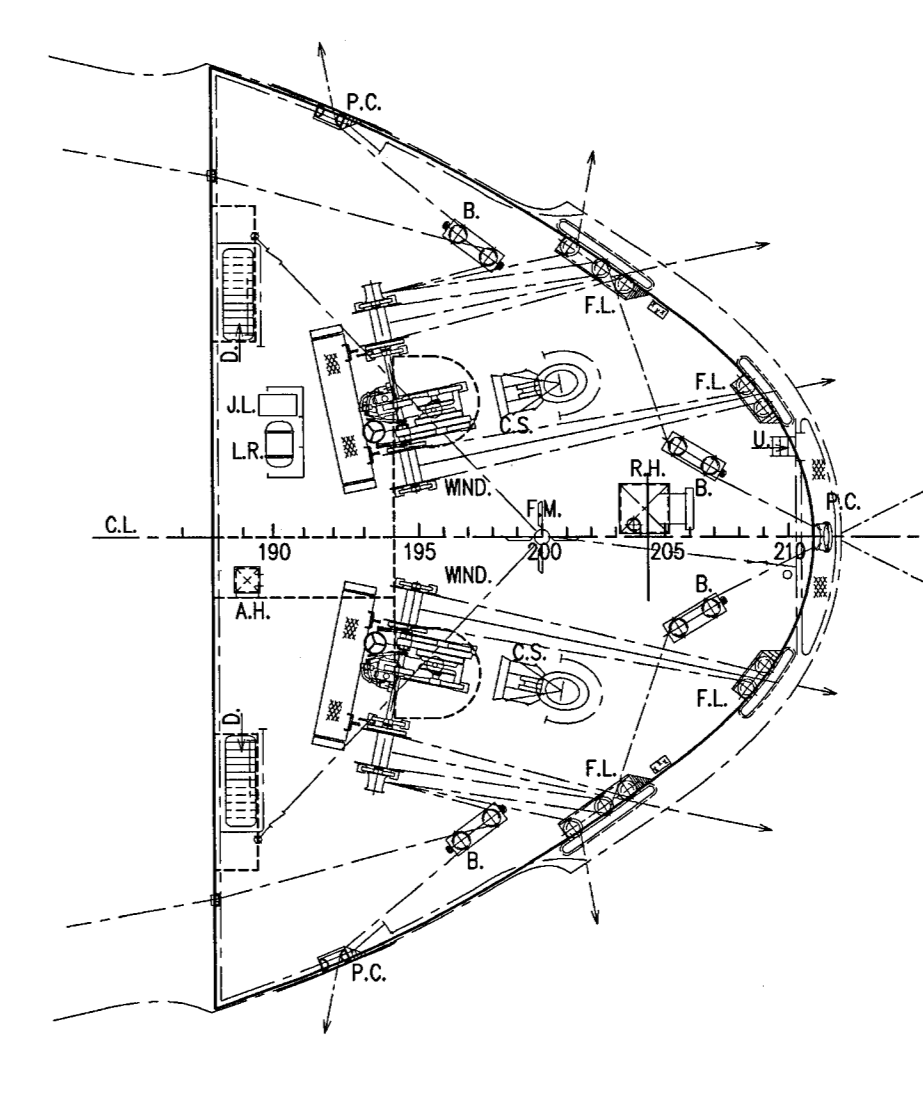
NAV. BRI. DECK



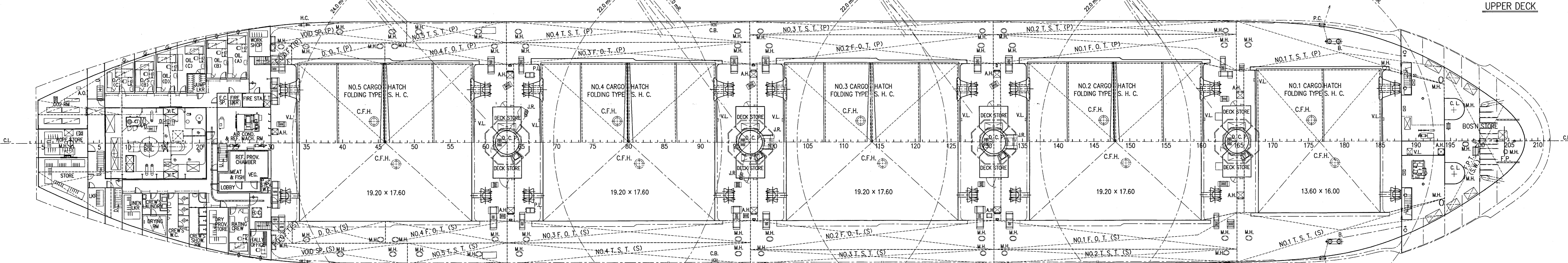
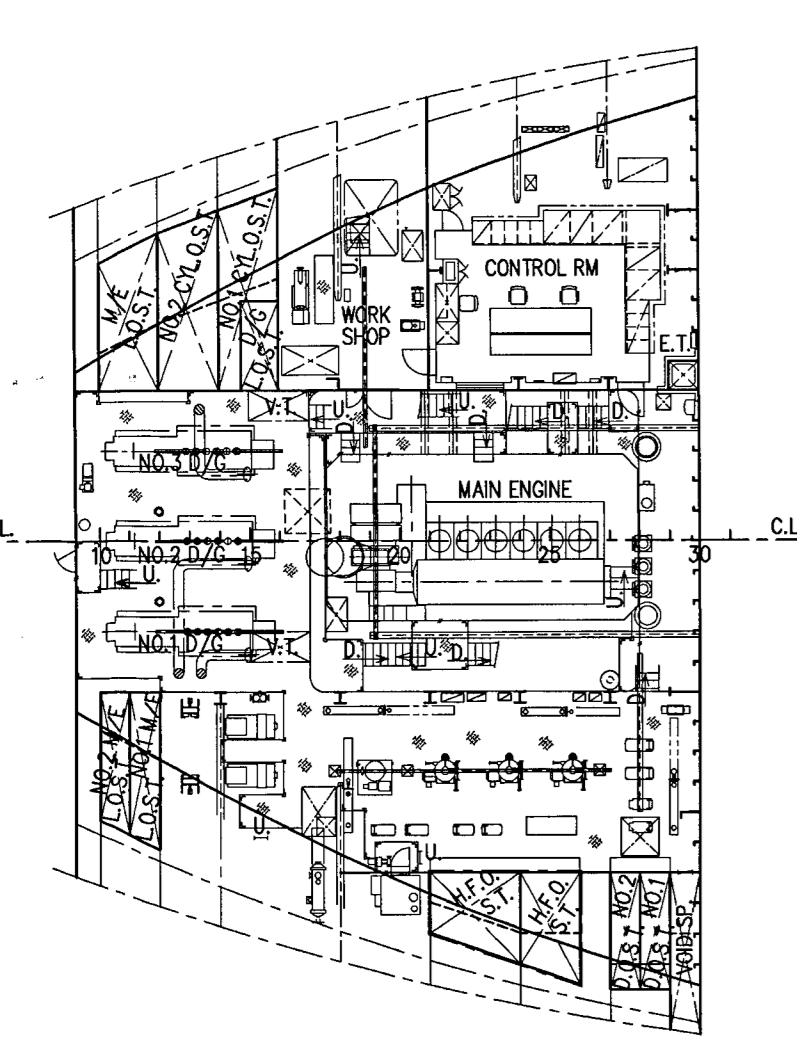
COMPASS DECK



"D" DECK

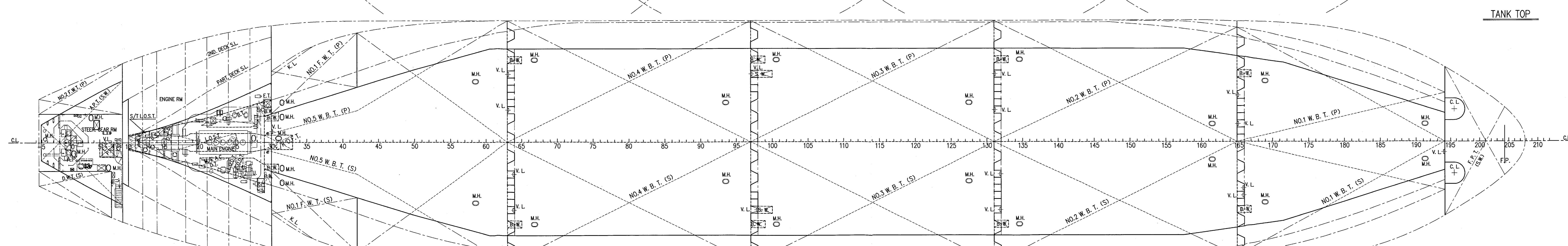
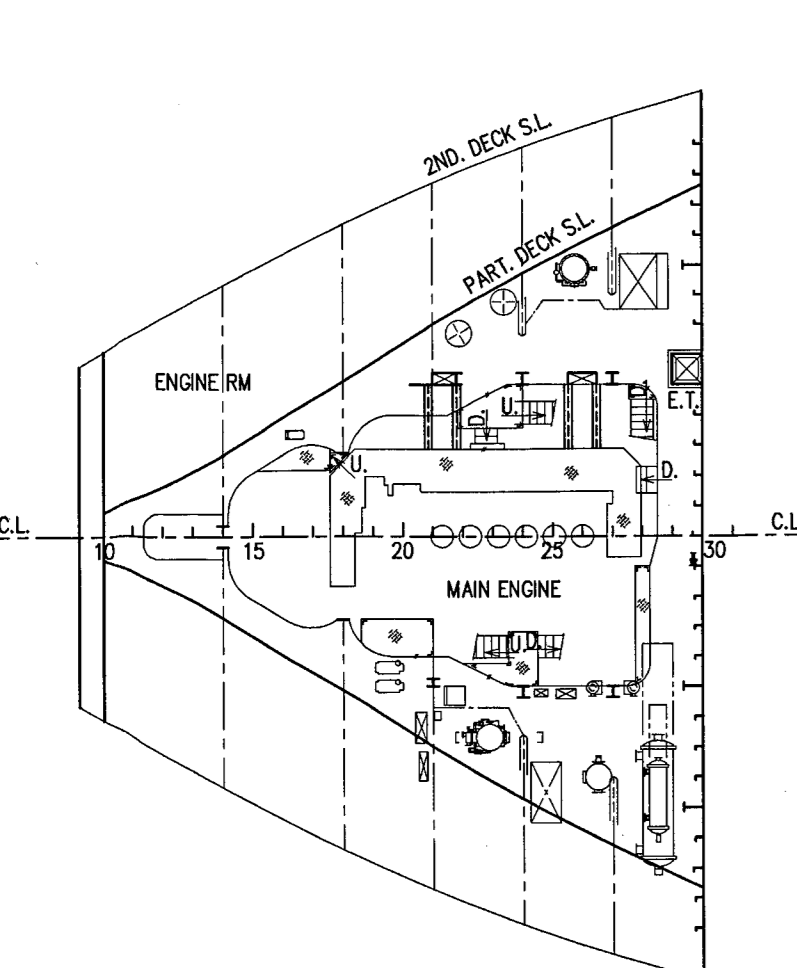


2ND DECK



UPPER DECK

PART. DECK



TANK TOP

PRINCIPAL PARTICULARS	
LENGTH (O.A.)	169.37 m
LENGTH (S.P.)	166.40 m
BREADTH (M.D.)	27.20 m
DEPTH (M.D.)	13.60 m
DRAUGHT (EXT.)	9.819 m
DEADWEIGHT	28,386 MT
GROSS TONNAGE (I.C.T.M.)	17,019
NET TONNAGE (I.C.T.M.)	10,108
MAIN ENGINE	
MARKA-MITSUBI-MAN	B & W 6S42MC (MARK V) x 1 set
MAXIMUM OUTPUT	5,850 kw (7,953 ps) x 129 rpm
NORMAL OUTPUT	4,970 kw (6,757 ps) x 122 rpm
	(85% M.C.R.)
HOLD CAPACITY : (GRAN)	37,320.63 m ³
(BALE)	35,742.83 m ³
SPEED	(d = 9.70 m M.D., 85 % MCR with 15 % S.M.) est. 14.0 knots
TRIAL MAX.	16.216 knots
CLASS	
NIPPON KAISEI KOKAI (NK)	
CLASSIFICATION CHARACTERS	
NK NS * RC-A, RC-XII, GRAB (ESP) and MNS *	
INSTALLATION CHARACTERS	
CHG., MPP., ISA., ROF., AFS	
DESCRIPTIVE NOTE	
STRENGTHENED FOR HEAVY CARGO LOADING WHERE HELD	
NO. 2 & 4 MAY BE EMPTY	

COMPLEMENT			
DECK PART	ENGINE PART	BUSINESS PART	
CAPTAIN	1 CHIEF ENGINEER	1	
CHIEF OFFICER	1 1ST ENGINEER	1	
2ND OFFICER	1 2ND ENGINEER	1	
3RD OFFICER	1 3RD ENGINEER	1	
BOATSWAN			
	1 NO.1 OILER	1	CHIEF COOK
ABLE SEAMAN	3 OILER	4	MESS MAN
ORD. SEAMAN	3		
TOTAL NUMBER OF OFFICER CLASS			
8 P.			
TOTAL NUMBER OF CREW CLASS			
14 P.			
SENIOR OFFICER			
1 P.			
RATING CREW			
1 P.			
JUNIOR OFFICER (PILOT)			
1 P.			
GRAND TOTAL			
25 P.			

CAUTION
THIS DRAWING OR DOCUMENT IS THE PROPERTY OF IMABARI SHIPBUILDING CO., LTD.
REPRODUCING, COPYING, UTILIZATION FOR PURPOSES OTHER THAN AGREED, DISCLOSURE TO A THIRD PARTY, ARE STRICTLY SUBJECT TO PRIOR WRITTEN AGREEMENT BY IMABARI SHIPBUILDING CO., LTD.



CON-FERRED	IMABARI DESIGN GROUP BASIC DESIGN TEAM	APPROVED	<i>S. Tsujimura</i>	KEEL LAY DATE	21th, May, 2010
CHECKED	<i>S. Tsujimura</i>	CHECKED	<i>H. Ishikawa</i>	M.S. "HANJIN HINASE"	
DRAWN	<i>D. Shigenaga</i>	DRAWN	<i>D. Shigenaga</i>	IMO 9604768	
SHIP NO.	S-717	CLASS	NK	SCALE	1/200
				DWG. NO.	C-0200