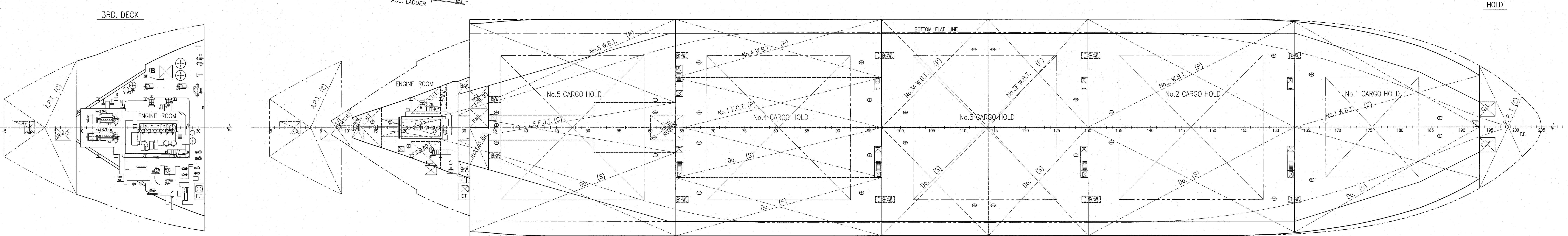
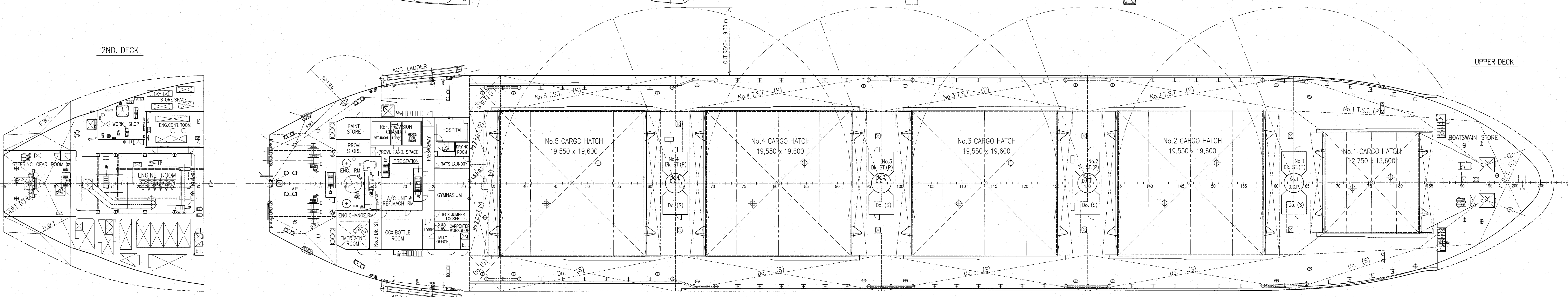
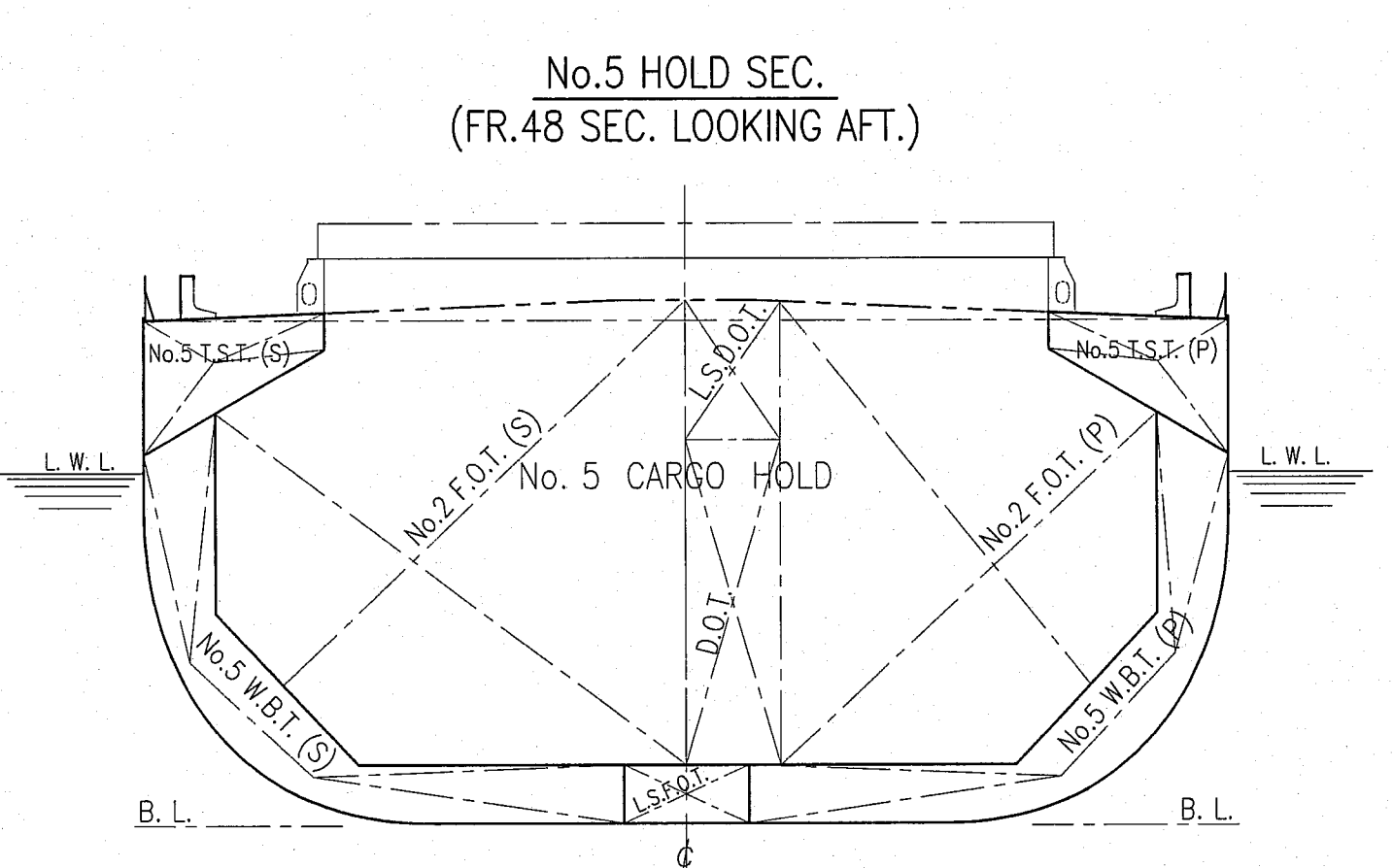
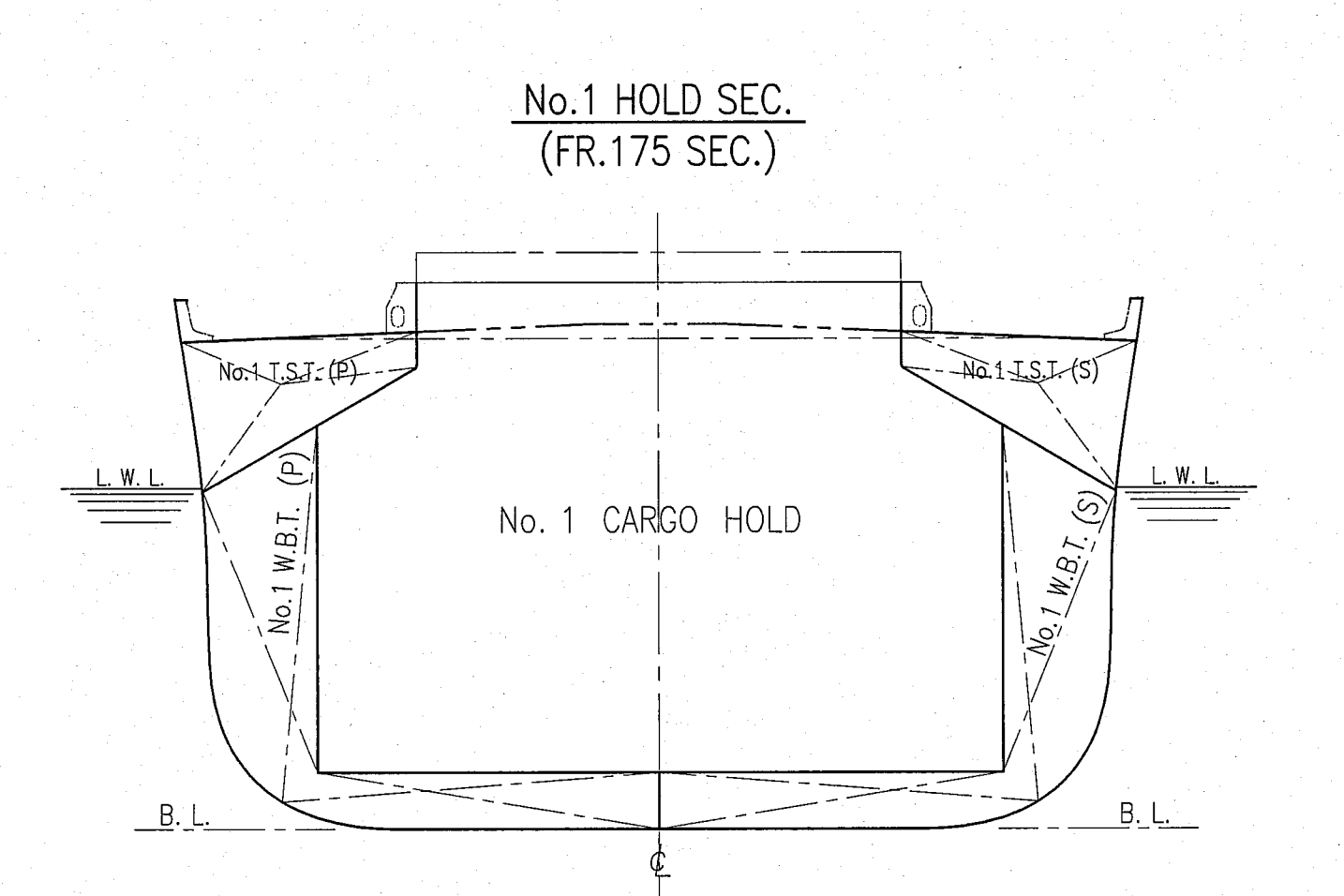
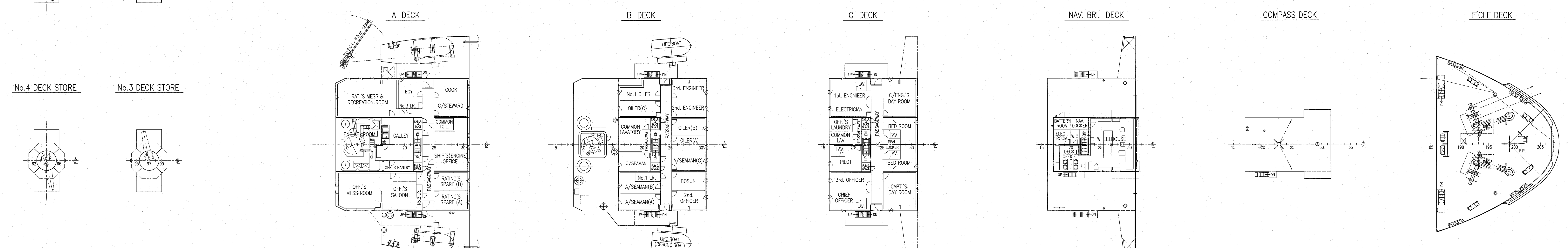
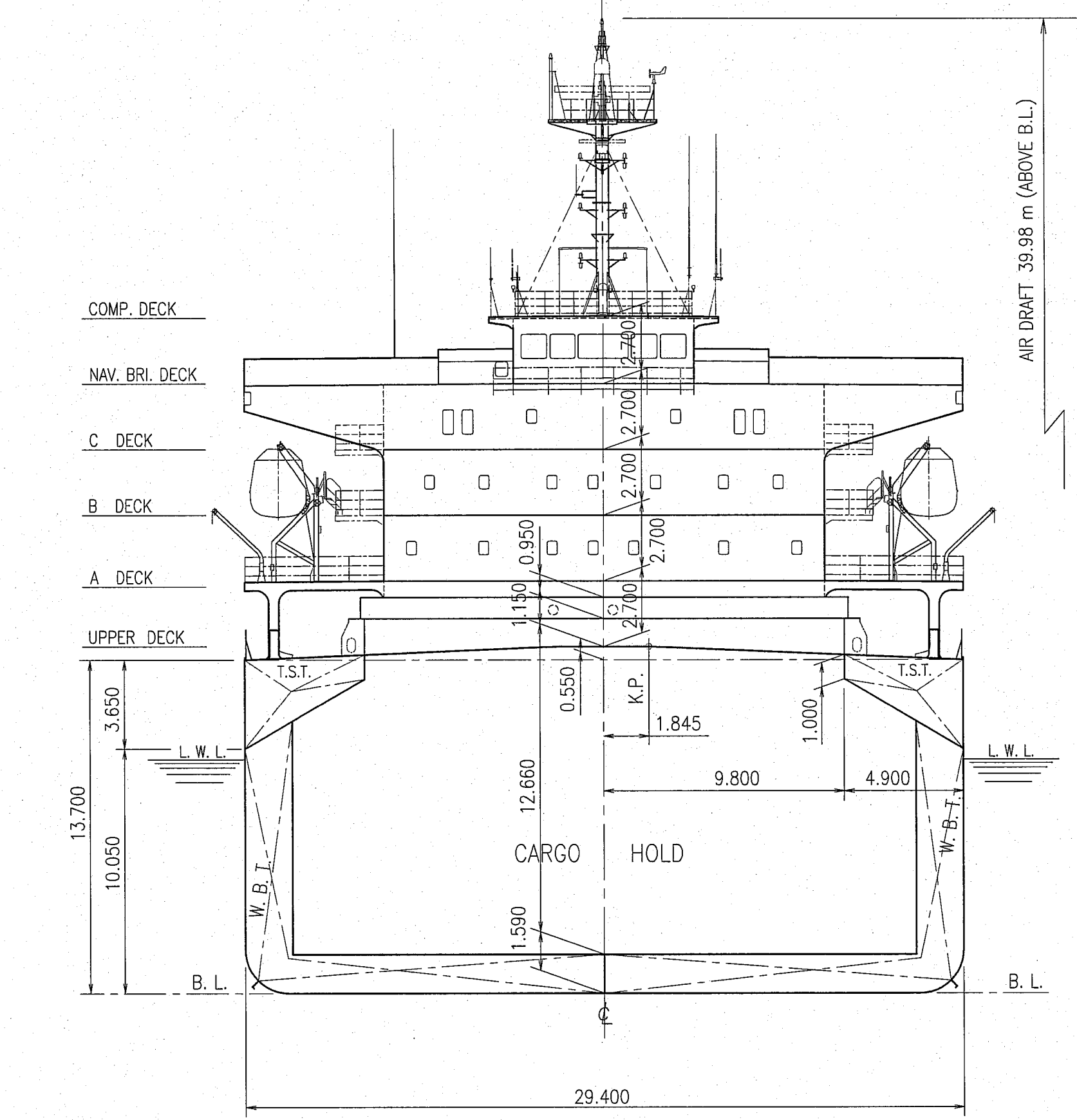
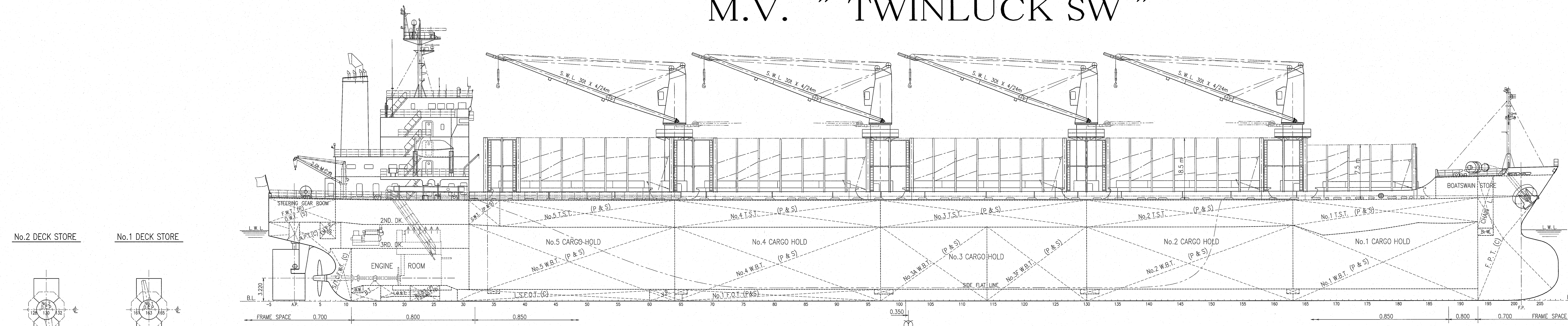


GENERAL ARRANGEMENT (SCALE = 1/200)

M.V. "TWINLUCK SW"

BIBLIOGRAPHY

DESIGNED BY HAKODATE SHIPYARD
FOR S.No.847.
(June 5, 2012)



PRINCIPAL PARTICULARS

LENGTH (O.A.)	175.53 m
LENGTH (P.P.)	167.00 m
BREADTH (MLD.)	29.40 m
DEPTH (MLD.)	13.70 m
DRAFT (SUMMER EXT.)	9.640 m
DEADWEIGHT (AT SUMMER)	31,877 t
INTERNATIONAL GROSS TONNAGE	19,817 t
INTERNATIONAL NET TONNAGE	10,395 t
MAIN ENGINE	MITSUBISHI-6UEC45LSE X 1 SET
M.C.R.	6,840 kW (9,300 PS) X 129.0 rpm
N.O.R. (90% M.C.R.)	6,156 kW (8,370 PS) X 124.5 rpm
SERVICE SPEED	14.6 Kts
COMPLEMENT	24 P.
CLASSIFICATIONS	NK, NS*(BCM, BC-XII, GRAB, IWS), MNS*
	CR, CR100+E Bulk Carrier, CMS+
	Double hull construction applied to all cargo holds.
IMO NUMBER	9 4 7 3 7 6 7

THE HAKODATE DOCK CO., LTD.
HAKODATE SHIPYARD HAKODATE, JAPAN

TWINLUCK SW	
S.No.847	
GENERAL ARRANGEMENT	
FINISHED PLAN	
SCALE	1/200
THE HAKODATE DOCK CO., LTD. HAKODATE SHIPYARD HAKODATE JAPAN	
SHIP DESIGN DEPARTMENT BASIC DESIGN SECTION	
APPROVED	<i>[Signature]</i>
CHECKED	<i>[Signature]</i>
CHECKED	<i>[Signature]</i>
DRAWN	<i>[Signature]</i>
DATE	June 5, 2012
SECTION NO.	S.No.847
DRAWING NO.	G-2/P-0
LIST NO.	P-3